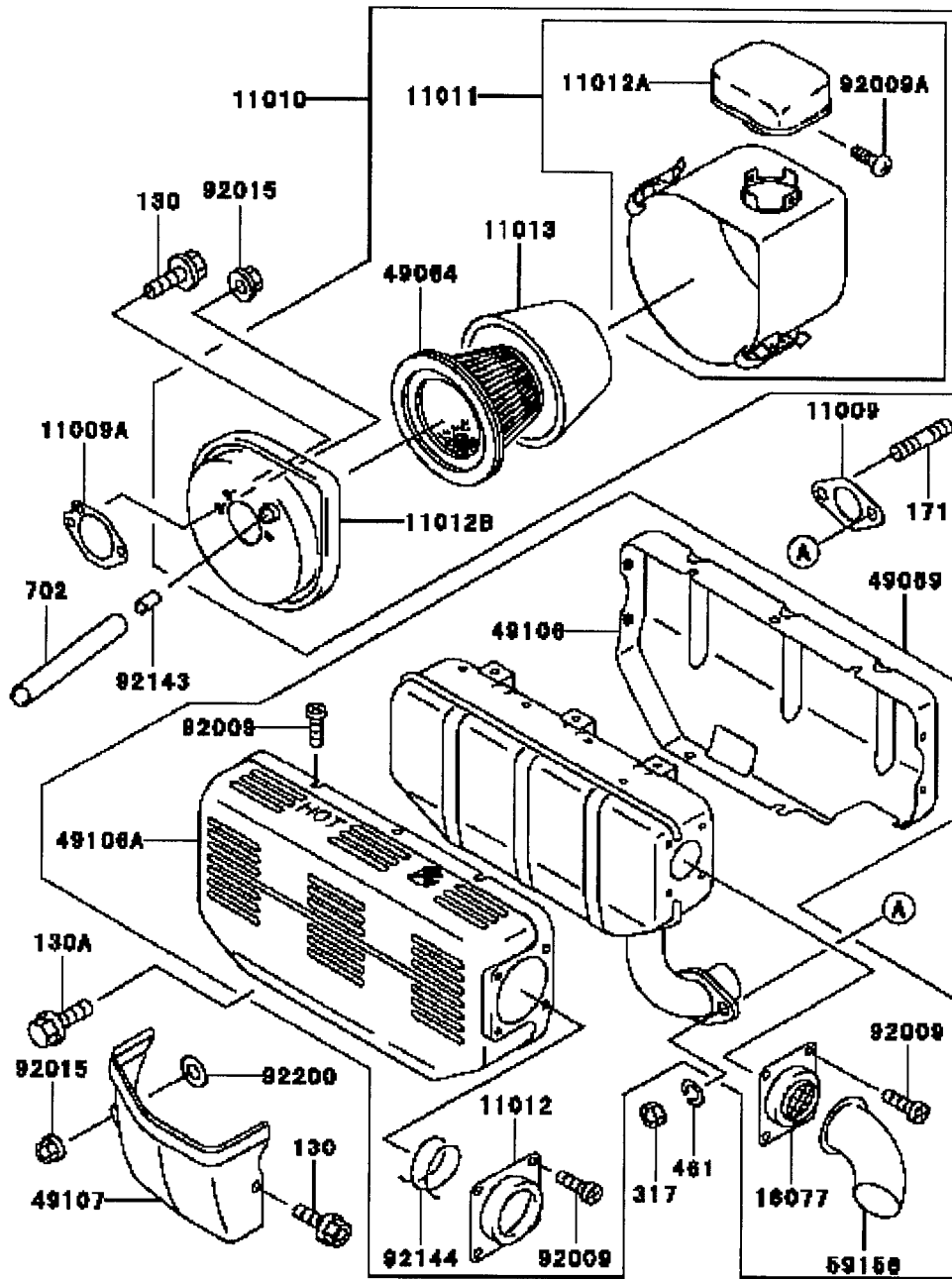


Product Diagram:

E0190-A290A



Item Number/Description	References	AS01
<u>11009-2487</u> GASKET,MUFFLER	11009 1	
* <u>11009-2925</u> GASKET,AIR FILTER	11009A 1	
<u>11010-2474-9H</u> FILTER-ASSY-AIR	11010 1	
<u>11011-2247-9H</u> CASE-AIR FILTER	11011 1	
<u>11012-2322-9X</u> CAP	11012 1	
<u>11012-2357</u> CAP,AIR FILTER	11012A 1	
<u>11012-2358</u> CAP,AIR FILTER	11012B 1	
<u>11013-2159</u> ELEMENT-AIR FILTER	11013 1	
* <u>130G0612</u> BOLT-FLANGED	130 3	
* <u>130G0816</u> BOLT-FLANGED,8X16	130A 1	
* <u>171G0820</u> BOLT-STUD,8X20	171 2	
	18077 1	

18077-2094
ARRESTER-SPARK

317R0800
NUT-HEX-SMALL,8MM

317 2

461F0800
WASHER-SPRING

461 2

49064-2077
FILTER-AIR

49064 1

49069-2276-9X
MUFFLER-ASSY

49069 1

49106-2546-9X
COVER-MUFFLER

49106 1

49106-2612-9X
COVER-MUFFLER

49106A 1

49107-2140-9H
COVER-EXHAUST PIPE

49107 1

59156-2230-9X
PIPE-TAIL

59156 1

702A081000
TUBE-RUBBER

702 1

92009-2322
SCREW

92009 15

92009-2388
SCREW

92009A 2

92015-1193
NUT

92015 3

92143-2207
COLLAR,6.0X8.0X25

92143 1

92144-2262
SPRING

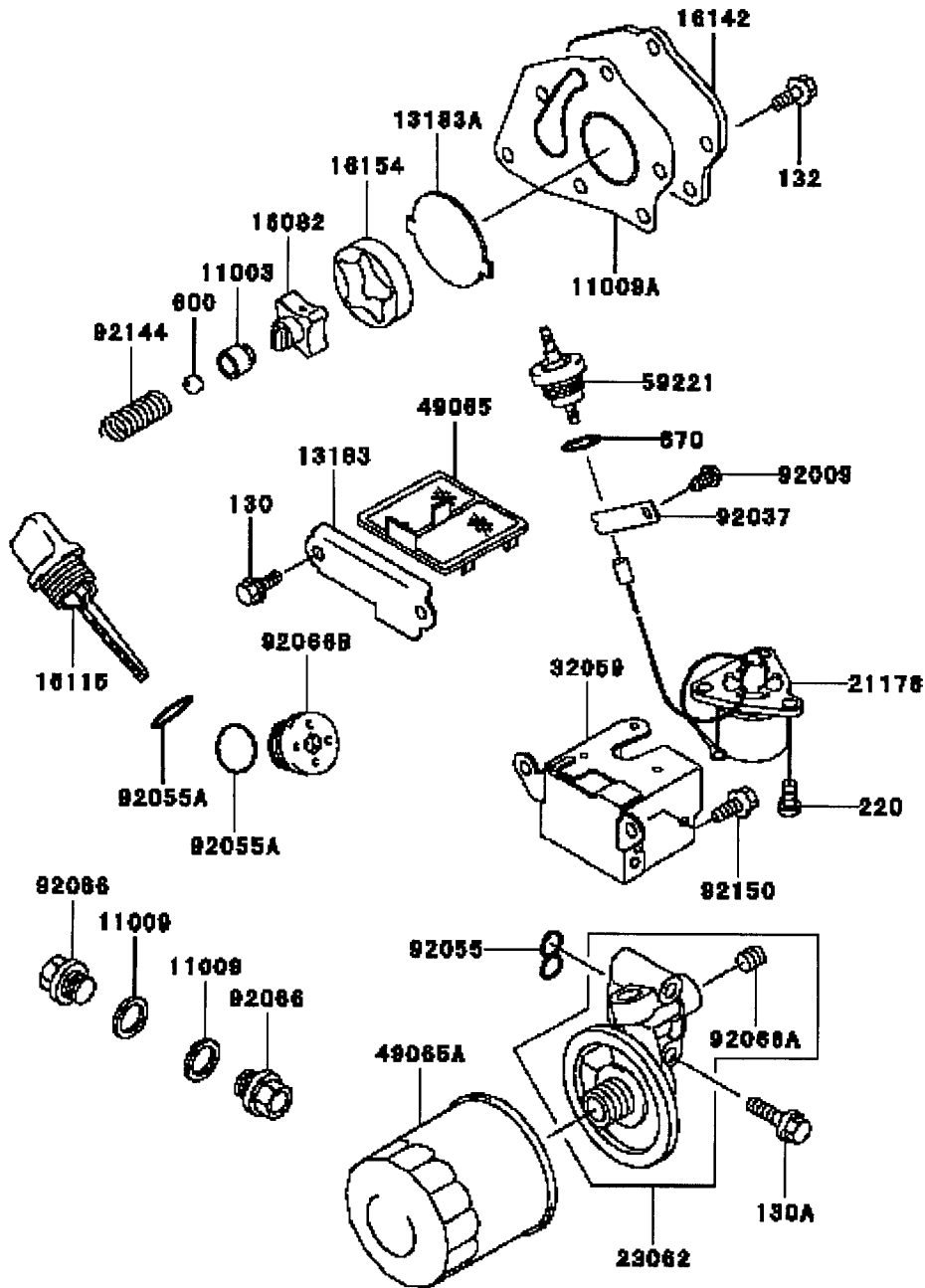
92144 1

92200-2070
WASHER

92200 1

Product Diagram:

E0140-A118A



Catalog Browse > 4 Stroke Engines > FE SERIES > FE290R > FE290R- S01 > LUBRICATION-EQUIPMENT

Item Number/Description	References	Revisions
		AS01

11003-2089
SEAT-VALVE

11003 1

11009 2

11009-2175
GASKET,14.2X19X2

11009-2828 11009A 1
GASKET,OIL PUMP

130B0508 130 2
BOLT-FLANGED,5X8

130G0640 130A 2
BOLT-FLANGED,6X40

13183-2295 13183 1
PLATE,OIL FILTER

13183-2298 13183A 1
PLATE,OIL PUMP

* 132G0612 132 6
BOLT-FLANGED-SMALL,6X12

16082-2062 16082 1
PUMP-ASSY-OIL

16115-2079 16115 1
CAP-OIL FILLER

16142-2062 16142 1
COVER-PUMP

16154-2054 16154 1
ROTOR-PUMP,OUT

21176-2099 21176 1
SENSOR

* 220B0408 220 3
SCREW-PAN-CROS

23062-6004 23062 1
BRACKET-COMP

32059-2085 32059 1
BRACKET-SWITCH

49065-2068 49065 1
FILTER-OIL

49065-2070 49065A 1
FILTER-OIL

59221-2123 59221 1
CONNECTOR-CORD

600A1000 600 1
BALL-STEEL,5/16"

670B2015 670 1
O RING,15MM

92009-2308 92009 1
SCREW

92037-2051 92037 1
CLAMP

92055-2063 92055 1
RING-O

92055-2185 92055A 2
RING-O,20MM

* 92066-2203
PLUG,DRAIN

92066 2

92066-2211
PLUG

92066A 2

92066-2222
PLUG

92066B 1

92144-2202
SPRING

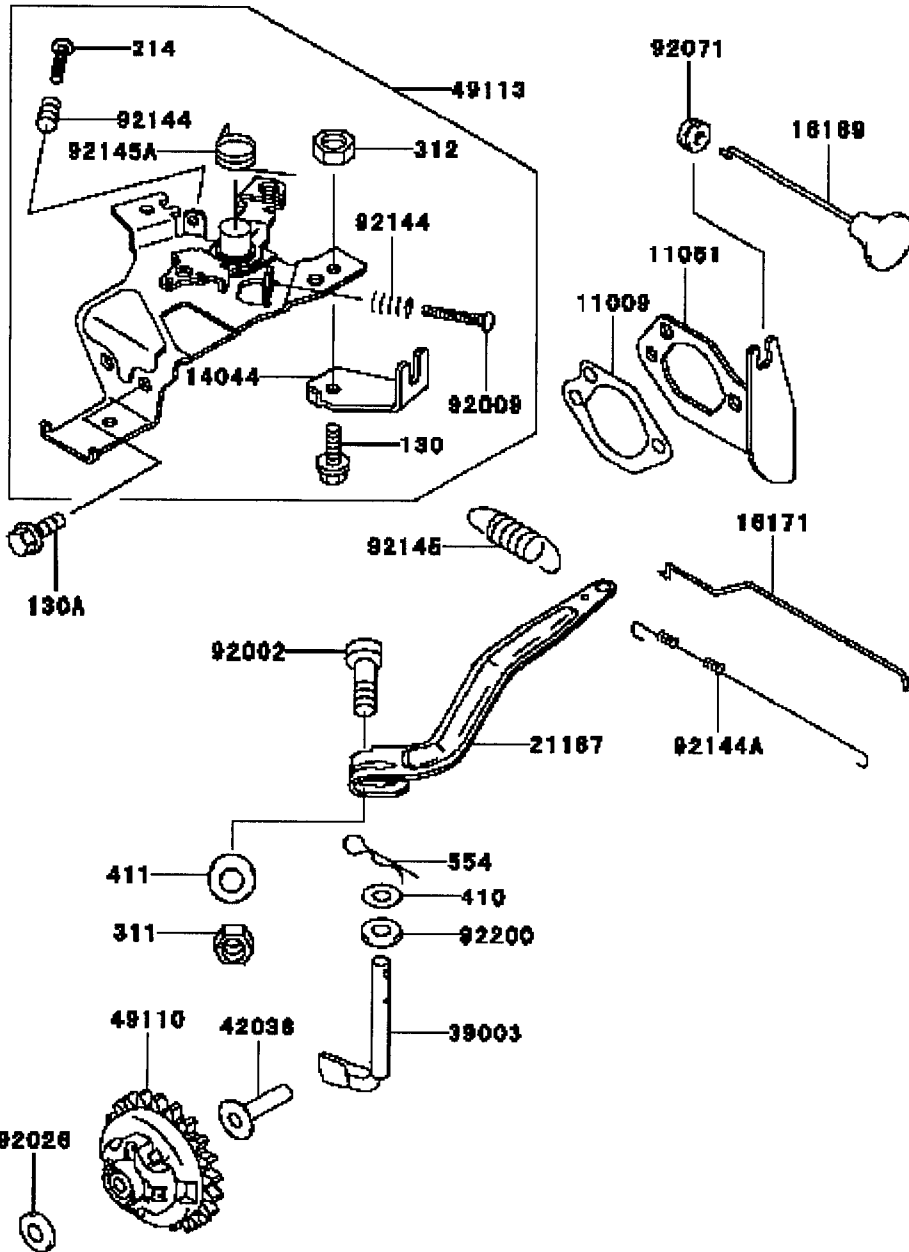
92144 1

* 92150-2212
BOLT

92150 2

Product Diagram:

E0170-A248A



[Catalog Browse](#) > [4 Stroke Engines](#) > [FE SERIES](#) > [FE290R](#) > [FE290R- S01](#) > [CONTROL-EQUIPMENT](#)

Item Number/Description	References	Revisions
* 11009-2925 GASKET,AIR FILTER		AS01

11051-2068		11051 1
----------------------------	--	---------

BRACKET

<u>130B0508</u> BOLT-FLANGED,5X8	130 1
-------------------------------------	-------

* <u>130G0612</u> BOLT-FLANGED	130A 2
-----------------------------------	--------

<u>14044-2058</u> HOLDER-CABLE	14044 1
-----------------------------------	---------

<u>16169-2084</u> LINK-CHOKE	16169 1
---------------------------------	---------

<u>16171-2061</u> LINK,THROTTLE	16171 1
------------------------------------	---------

<u>21187-2061</u> ARM-ASSY	21187 1
-------------------------------	---------

<u>214B0422</u> SCREW-PAN+-	214 1
--------------------------------	-------

<u>311B0600</u> NUT-HEX,6MM	311 1
--------------------------------	-------

<u>312B0500</u> NUT-HEX,5MM	312 1
--------------------------------	-------

<u>39003-2076</u> ARM-PIVOT	39003 1
--------------------------------	---------

<u>410B0600</u> W-PLAIN-S,6MM	410 1
----------------------------------	-------

<u>411B0600</u> WASHER-PLAIN	411 1
<u>42036-2060</u> SLEEVE	42036 1
<u>49110-2069</u> GOVERNOR-ASSY	49110 1
* <u>49113-2156</u> PANEL-COMP-CONTROL	49113 1
* <u>554A0600</u> PIN-SNAP	554 1
<u>92002-2269</u> BOLT,6X28	92002 1
<u>92009-2113</u> SCREW	92009 1
<u>92071-2126</u> GROMMET	92071 1
<u>92144-2266</u> SPRING	92144 2
<u>92144-2340</u> SPRING	92144A 1
<u>92145-2054</u> SPRING	92145 1
* <u>92145-2059</u> SPRING	92145A 1

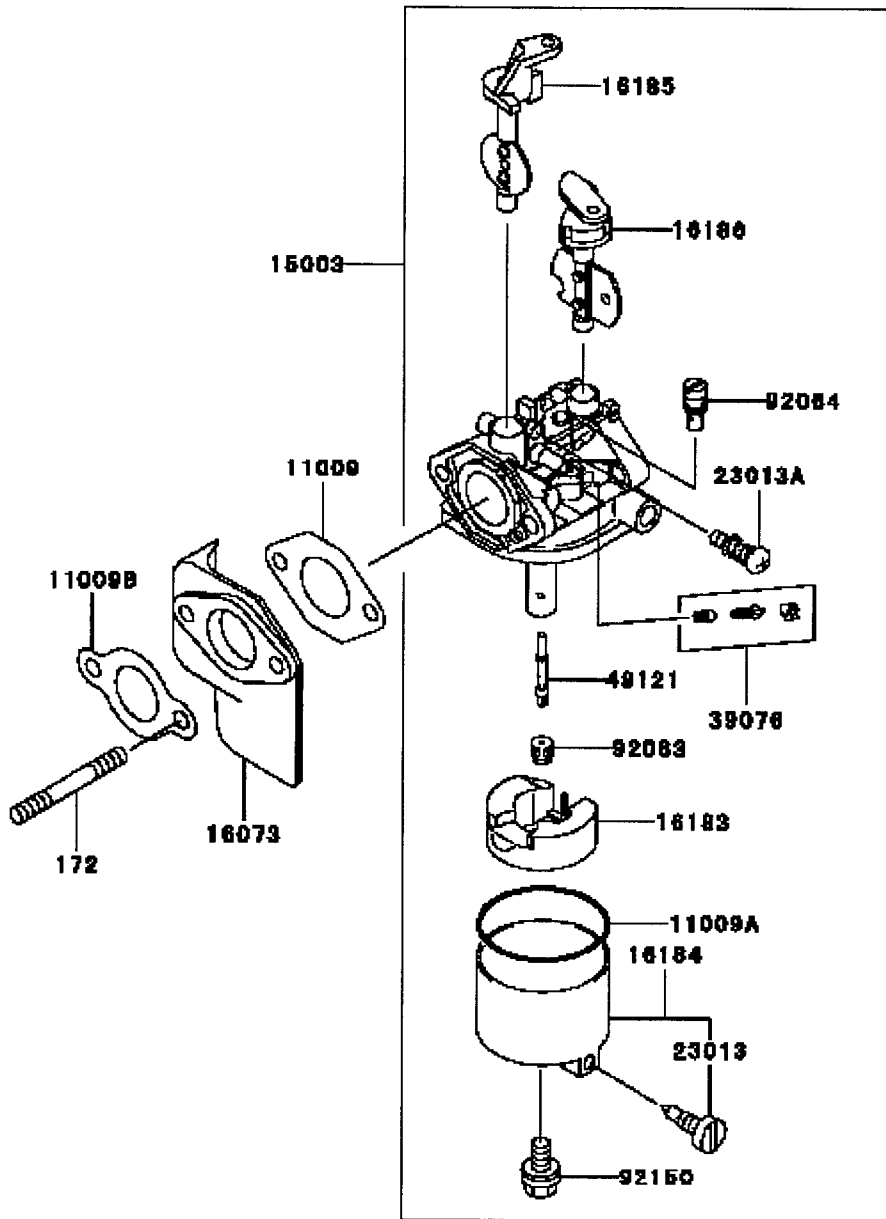
92200-2029
WASHER,6.5X11.5X2.0

92200 1

92200-2036
WASHER,6.2X20X0.5

92026 1

E0180-A122D



Catalog Browse > 4 Stroke Engines > FE SERIES > FE290R > FE290R- S01 > CARBURETOR

Item Number/Description		References	Revisions
11009-2827 GASKET,CARBURETOR		11009 1	AS01
11009-2919 GASKET		11009A 1	

<u>11009-2939</u> GASKET,INSULATOR	11009B 1
<u>15003-2647</u> CARBURETOR-ASSY	15003 1
<u>16073-2154</u> INSULATOR	16073 1
<u>16183-2005</u> FLOAT-ASSY	16183 1
<u>16184-2002</u> CHAMBER-ASSY-FLOAT	16184 1
<u>16185-2008</u> VALVE-ASSY-THROTTLE	16185 1
<u>16186-2018</u> VALVE-ASSY-CHOKE	16186 1
<u>172G0675</u> BOLT-STUD	172 2
<u>23013-2053</u> SCREW-ASSY	23013 1
<u>23013-2054</u> SCREW-ASSY	23013A 1
<u>39076-2055</u> LIMITER	39076 1
	49121 1

49121-2193
NOZZLE-MAIN

92063-2325
JET-MAIN,#90

92063 1

92064-2083
JET-PILOT,#45

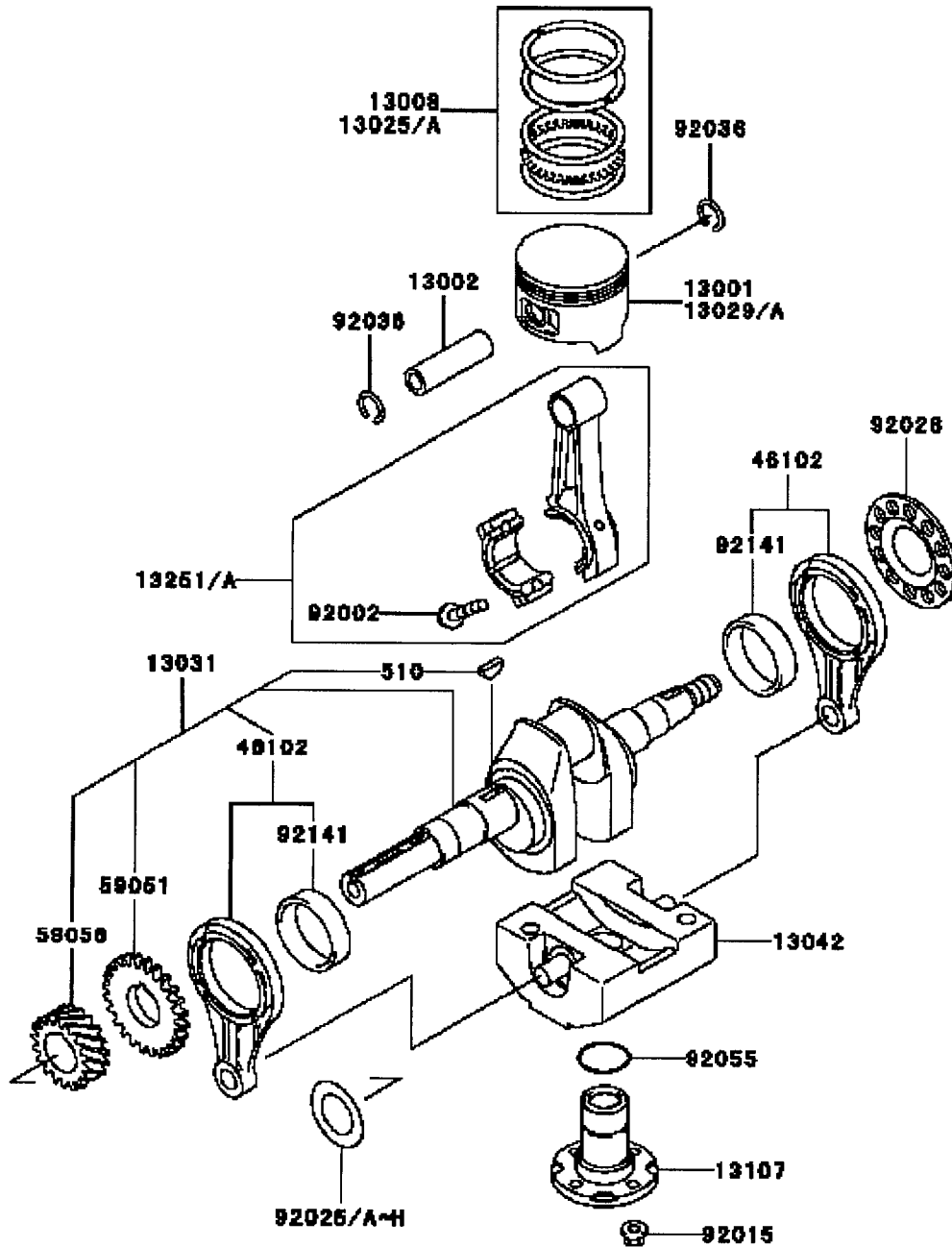
92064 1

92150-2209
BOLT

92150 1

Product Diagram:

E0120-A067B



Catalog Browse > 4 Stroke Engines > FE SERIES > FE290R > FE290R- S01 > PISTON/CRANKSHAFT

Item Number/Description	References	Revisions
		AS01

* 13001-2125
PISTON-ENGINE

13001 1

13002 1

13002-2069
PIN-PISTON

13008-6007
RING-SET-PISTON

13008 1

13025-2073
RING-SET-PISTON L,0.25

13025 AR

13025-2074
RING-SET-PISTON L,0.50

13025A AR

13029-2100
PISTON-ENGINE L,0.25

13029 AR

* 13029-2101
PISTON-ENGINE L,0.50

13029A AR

13031-2066
CRANKSHAFT-COMP

13031 1

13042-6009
WEIGHT

13042 1

13107-2088
SHAFT

13107 1

* 13251-6034
ROD-ASSY-
CONNECTING,U/S=0.50

13251 AR

* 13251-6056
ROD-ASSY-CONNECTING

13251A 1

46102-6004
ROD

46102 2

<u>510A5100</u> KEY-WOODRUFF	510 1
<u>59051-2097</u> GEAR-SPUR	59051 1
<u>59056-2993</u> GEAR-HELICAL	59056 1
<u>92002-2053</u> BOLT	92002 2
<u>92015-1193</u> NUT	92015 4
<u>92025-2168</u> SHIM,T=1.13	92025 AR
<u>92025-2169</u> SHIM,T=1.18	92025A AR
<u>92025-2170</u> SHIM,T=1.23	92025B AR
<u>92025-2171</u> SHIM,T=1.28	92025C AR
<u>92025-2172</u> SHIM,T=1.33	92025D AR
<u>92025-2173</u> SHIM,T=1.38	92025E AR
	92025F AR

92025-2174
SHIM,T=1.43

92025-2175
SHIM,T=1.48

92025G AR

92025-2207
SHIM,T=1.53

92025H AR

92026-2052
SPACER

92026 1

92036-008
RING-SNAP

92036 2

92055-2072
RING-O

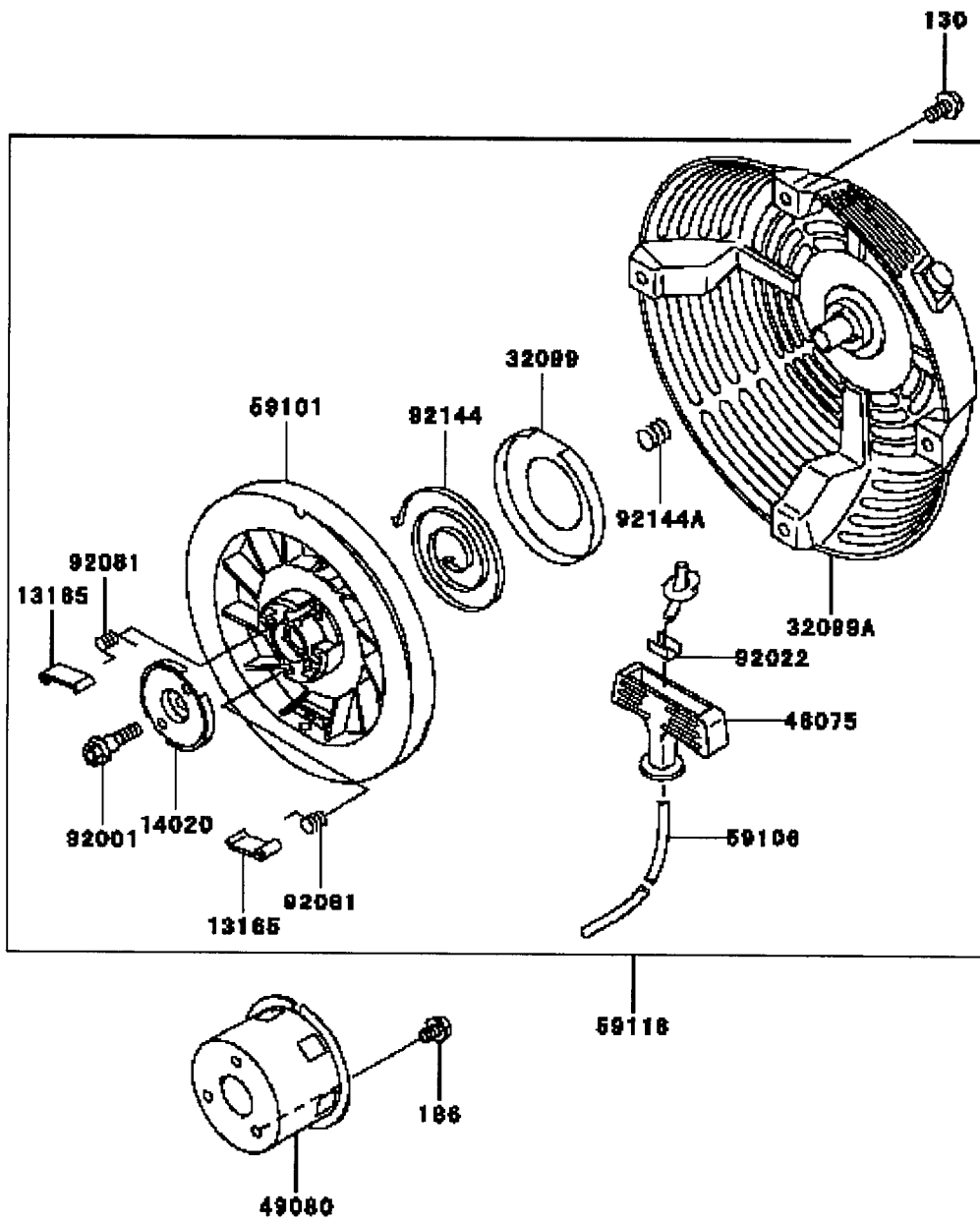
92055 1

92141-2090
BEARING-PLANE

92141 2

Product Diagram:

E0210-A004B



Item Number/Description	References	Revisions
* <u>130G0612</u> BOLT-FLANGED	130 4	AS01
<u>13165-2073</u> PAWL,RECOIL STARTER	13165 2	
<u>14020-2094</u> RETAINER,RECOIL STARTER	14020 1	
* <u>186B0610</u> BOLT-UPSET-WP,6X10	186 3	
<u>32099-2193</u> CASE,SPRING	32099 1	
<u>32099-2219-YK</u> CASE,RECOIL STARTER	32099A 1	
<u>46075-2092</u> GRIP,RECOIL STARTER	46075 1	
<u>49080-2154</u> PULLEY-STARTING	49080 1	
<u>59101-2091</u> REEL,RECOIL STARTER	59101 1	
<u>59106-2099</u> ROPE,4.5X1550	59106 1	
<u>59116-2330-YK</u> STARTER-ASSY-RECOIL	59116 1	
	92001 1	

92001-2027
BOLT

92022-2248
WASHER

92022 1

92081-2021
SPRING

92081 2

92144-2055
SPRING,RECOIL

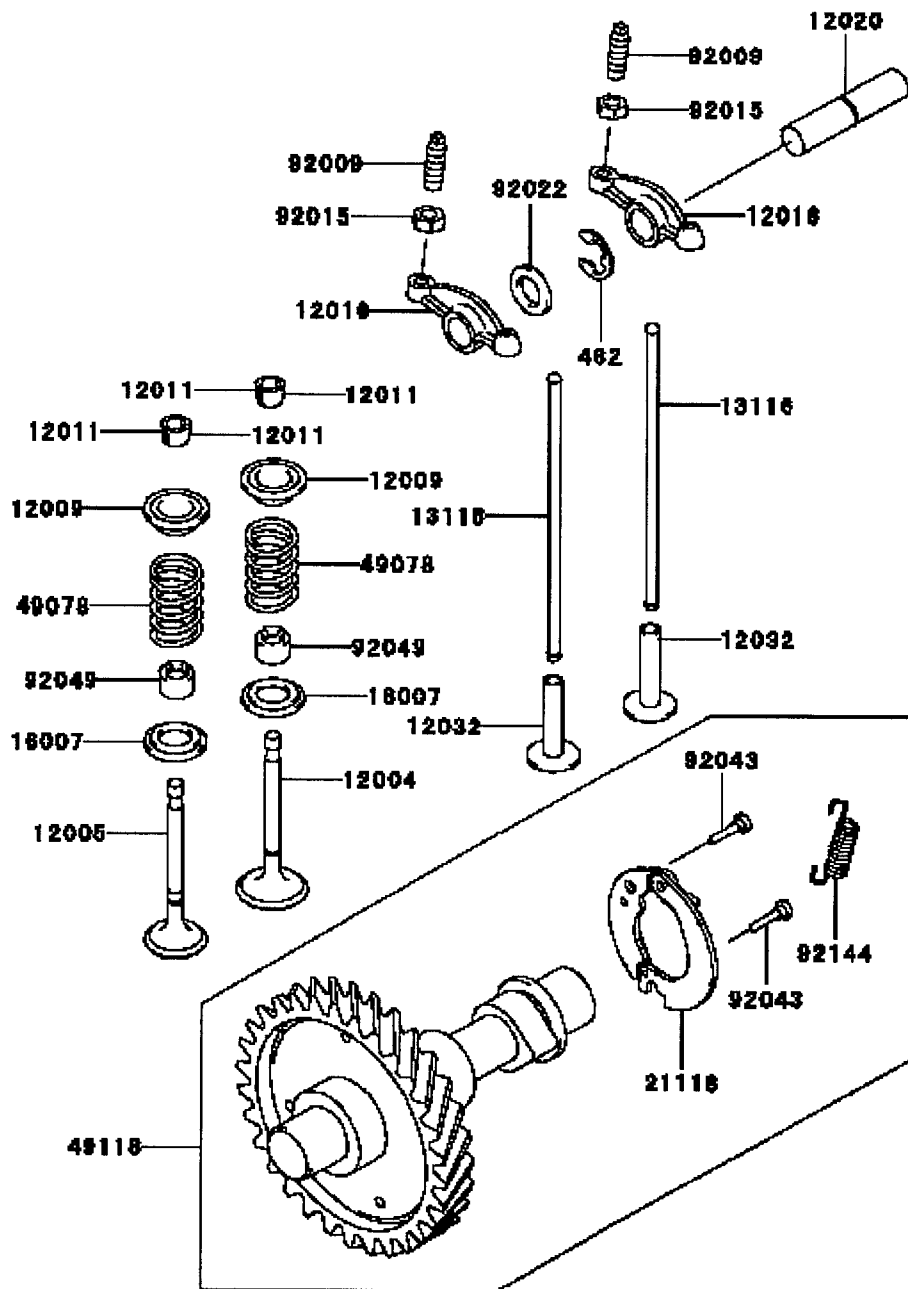
92144 1

92144-2212
SPRING

92144A 1

Product Diagram:

E0130-A046A



[Catalog Browse](#) > [4 Stroke Engines](#) > [FE SERIES](#) > [FE290R](#) > [FE290R- S01](#) > [VALVE/CAMSHAFT](#)

Item Number/Description	References	Revisions
-------------------------	------------	-----------

12004-2084
VALVE-INTAKE

12004 1

12005 1

12005-2077
VALVE-EXHAUST

12009-2060
RETAINER-VALVE SPRING

12009 2

12011-2052
COLLET

12011 4

12016-2058
ARM-ROCKER

12020-2060
SHAFT-ROCKER

12020 1

12032-2060
TAPPET

12032 2

13116-2054
ROD-PUSH

13116 2

16007-2052
SEAT-SPRING

16007 2

21118-2088
DECOMPRESSOR

21118 1

482J0100
CIRCLIP-TYPE-E,10MM

482 1

49078-2060
SPRING-ENGINE VALVE

49078 2

49118-2121
CAMSHAFT-COMP

49118 1

92009-1109
SCREW

92009 2

92015-1137
NUT

92015 2

92022-2397
WASHER,12.1X19X1.6

92022 1

92043-2113
PIN

92043 2

92049-2100
SEAL-OIL,VSB 7X12X5.5X9.7

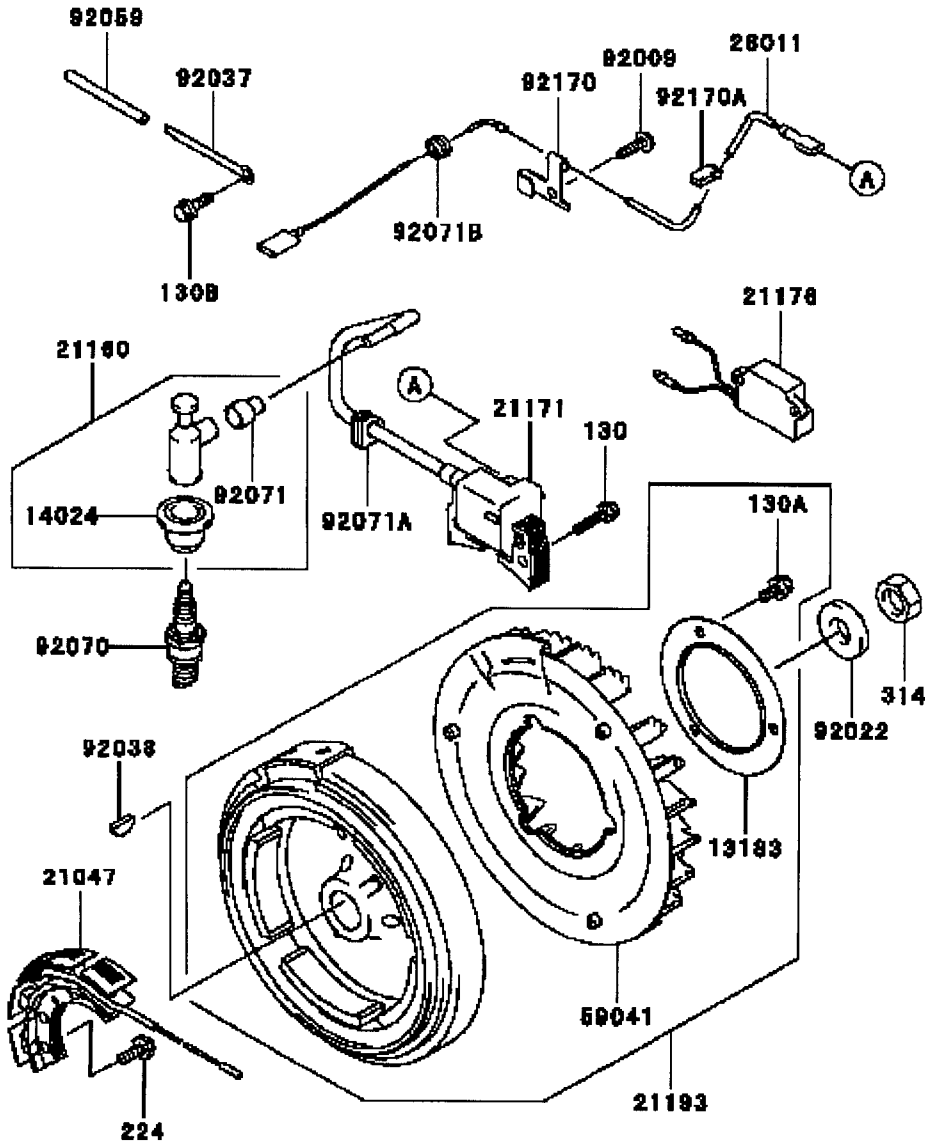
92049 2

92144-2323
SPRING

92144 1

Product Diagram:

E0160-A552A



Catalog Browse > 4 Stroke Engines > FE SERIES > FE290R > FE290R- S01 > ELECTRIC-EQUIPMENT

Item Number/Description	References	Revisions
		AS01
* 130B0525 BOLT-FLANGED,5X25	130 2	
* 130G0610 BOLT-FLANGED,6X10	130A 3	

* 130G0612 130B 1
BOLT-FLANGED

13183-2407 13183 1
PLATE

14024-2234 14024 1
COVER

21047-2087 21047 1
COIL-LIGHTING

21160-2051 21160 1
CAP-ASSY-PLUG

21171-2207 21171 1
COIL-ASSY-IGNITION

21176-2101 21176 1
SENSOR

21193-2174 21193 1
FLYWHEEL-ASSY

* 224B0620 224 2
SCREW-PAN-WP-CROS,6X20

26011-2356 26011 1
WIRE-LEAD,L=300

* 314G1600 314 1
NUT-HEX-FINE,16MM

59041 1

59041-2082
FAN

92009-2308
SCREW

92009 1

92022-2205
WASHER

92022 1

92037-2006
CLAMP

92037 2

92038-2094
KEY

92038 1

92059-2011
TUBE,5X6X75

92059 2

92070-2077
PLUG-
SPARK,BPR5ES(NGK),SOLID

92070 1

92071-2008
GROMMET

92071 1

92071-2112
GROMMET

92071A 1

92071-2125
GROMMET

92071B 1

92170-2016
CLAMP

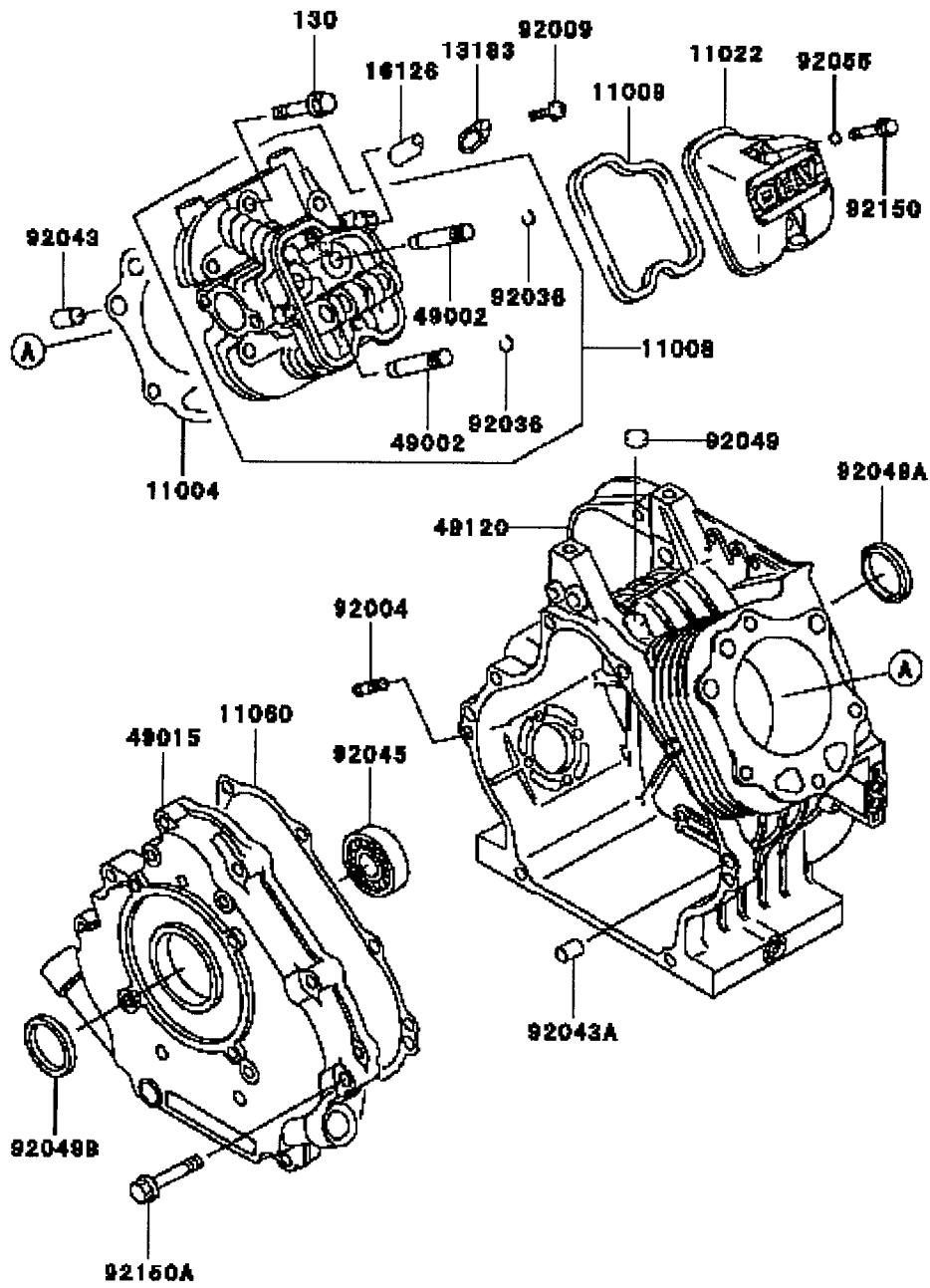
92170 1

92170-2017
CLAMP

92170A 1

Product Diagram:

E0110-A236A



Catalog Browse > 4 Stroke Engines > FE SERIES > FE290R > FE290R- S01 > CYLINDER/CRANKCASE

Item Number/Description	References	Revisions
<u>11004-2138</u> GASKET-HEAD	11004 1	AS01
* <u>11008-2129</u> HEAD-COMP-CYLINDER	11008 1	
<u>11009-2829</u> GASKET,ROCKER CASE	11009 1	
<u>11022-6001</u> CASE-ROCKER	11022 1	
<u>11060-2122</u> GASKET,CRANKCASE COVER	11060 1	
* <u>130T0845</u> BOLT-FLANGED,8X45	130 6	
<u>13183-2299</u> PLATE	13183 1	
<u>16126-2107</u> VALVE	16126 1	
<u>49002-2101</u> GUIDE-VALVE	49002 2	
<u>49015-6152</u> COVER-CRANKCASE	49015 1	

49120-2217
CRANKCASE-COMP

49120 1

92004-2083
STUD,6X14

92004 4

92009-2308
SCREW

92036-023
RING-SNAP

92036 2

92043-1037
PIN

92043 2

92043-1263
PIN

92043A 2

92045-2168
BEARING-BALL,6306JRCM

92045 1

92049-2097
SEAL-OIL,VC6X10X2.5

92049 1

92049-2199
SEAL-OIL

92049A 1

92049-2220
SEAL-OIL

92049B 1

92055-1343
RING-O

92055 2

92150-2145
BOLT,6X35

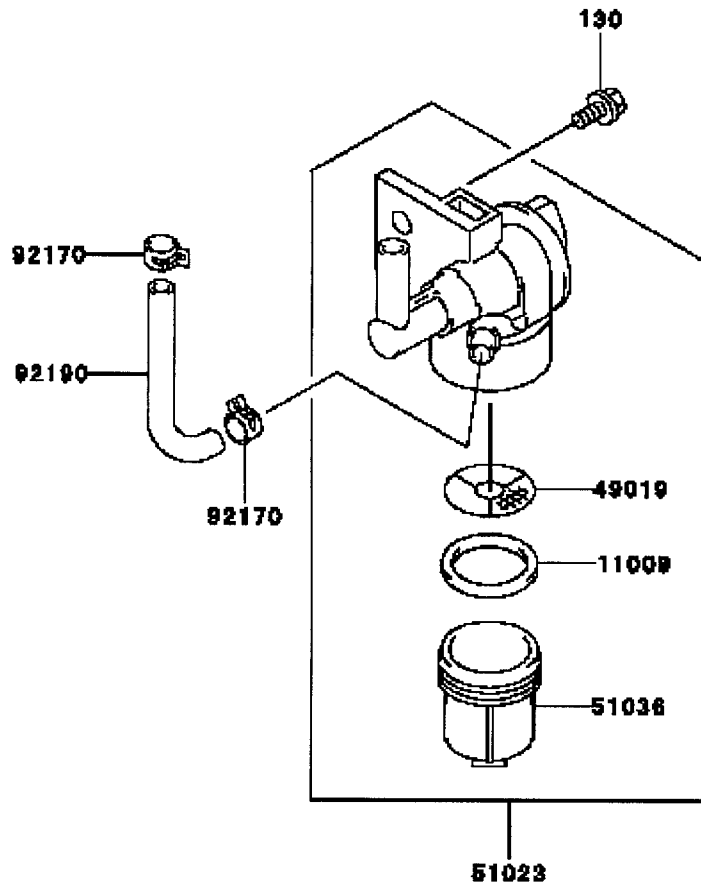
92150 2

92150-2252
BOLT,8X45

92150A 8

Product Diagram:

E0200-A251A



[Catalog Browse](#) > [4 Stroke Engines](#) > [FE SERIES](#) > [FE290R](#) > [FE290R- S01](#) > **FUEL-TANK/FUEL-VALVE**

Item Number/Description	References	Revisions	
		AS01	
11009-2876 GASKET,FUEL TAP	11009	1	
* 130G0612 BOLT-FLANGED		130	1
		49019	1

49019-2095
FILTER-FUEL

51023-2148
TAP-ASSY

51023 1

51036-2071
CUP,FUEL TAP

51036 1

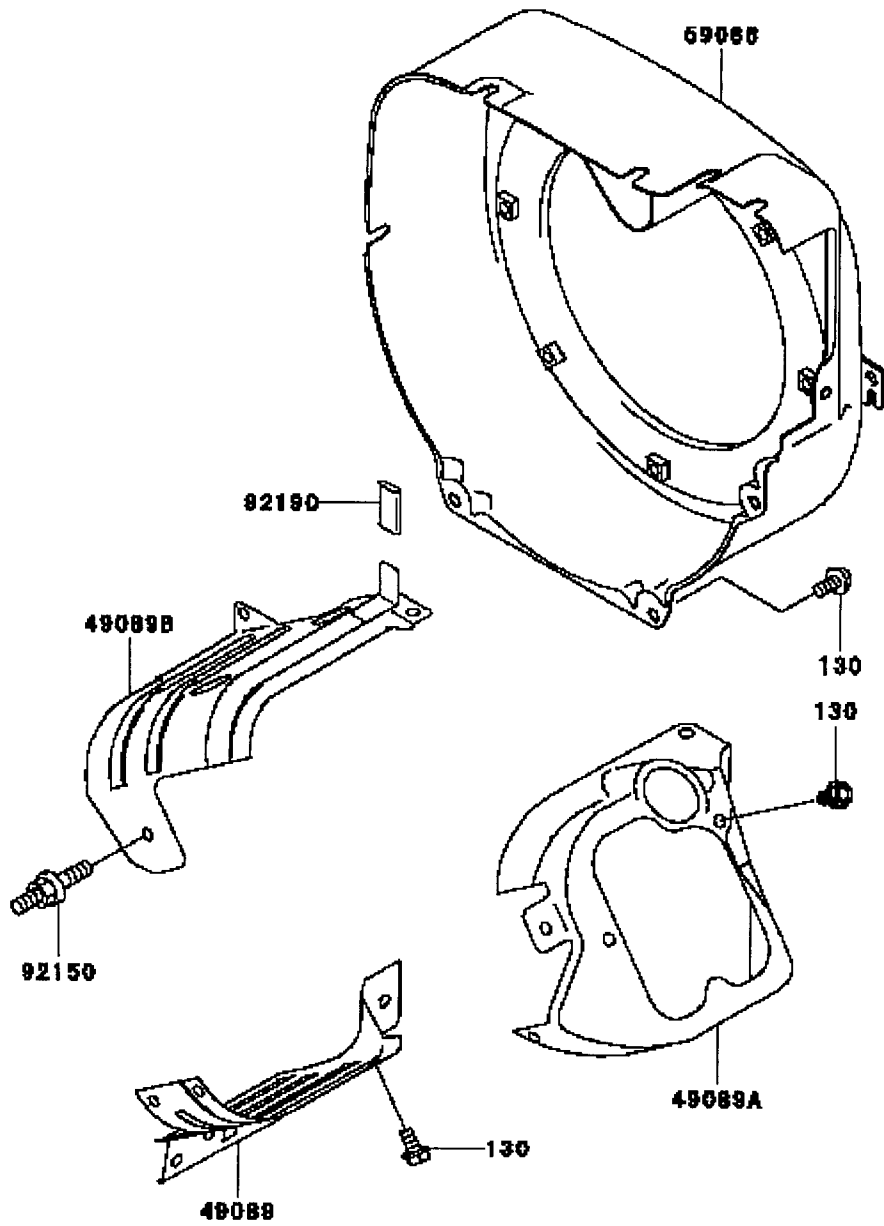
92170-2042
CLAMP

92170 2

92190-2118
TUBE,6X10X120

92190 1

E0150-A003A



[Catalog Browse](#) > [4 Stroke Engines](#) > [FE SERIES](#) > [FE290R](#) > [FE290R- S01](#) > **COOLING-EQUIPMENT**

			Revisions
Item Number/Description	References		AS01

* 130G0612
BOLT-FLANGED

130 15

49089-2309-9H
SHROUD-ENGINE

49089-2317-9H
SHROUD-ENGINE

49089A 1

49089-2318-9H
SHROUD-ENGINE

49089B 1

59066-2538-9H
HOUSING-FAN

59066 1

92150-2197
BOLT

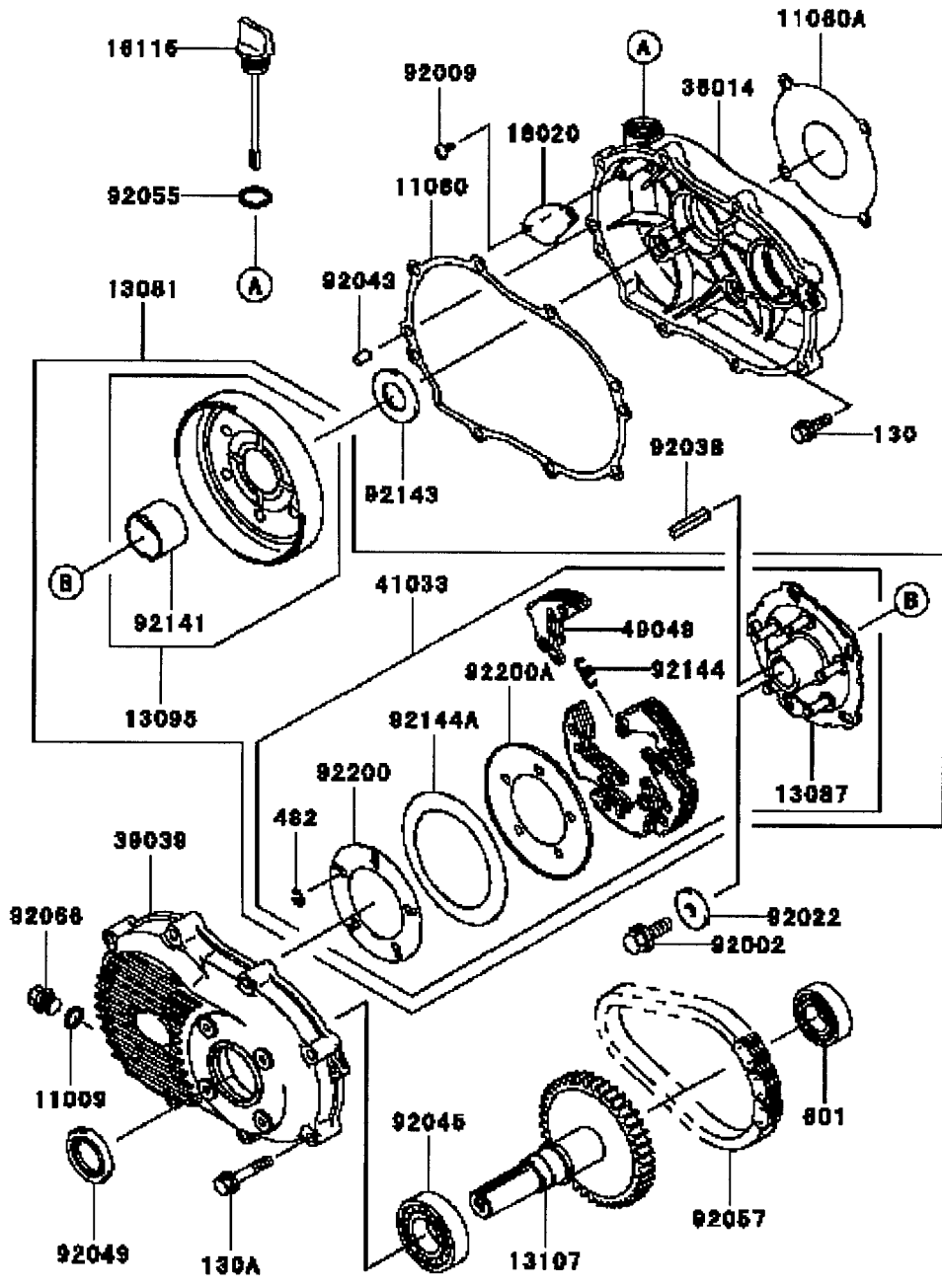
92150 1

92190-2042
TUBE

92190 1

Product Diagram:

E0220-A029A



Catalog Browse > 4 Stroke Engines > FE SERIES > FE290R > FE290R- S01 > P.T.O-EQUIPMENT

Item Number/Description	References	Revisions
		AS01

11009-2175
GASKET,14.2X19X2

11009 1

11060 1

11060-2003
GASKET

11060-2004
GASKET

11060A 1

13081-2145
CLUTCH-ASSY

13081 1

13087-2053
HUB-CLUTCH

13087 1

13095-2059
HOUSING-COMP-CLUTCH

13095 1

130G0825
BOLT-FLANGED,8X25

130 4

130G0845
BOLT-FLANGED,8X45

130A 8

13107-2221
SHAFT

13107 1

16115-2098
CAP-OIL FILLER

16115 1

18020-2061
BAFFLE

18020 1

36014-2051
CASE-CHAIN

36014 1

39039-2051
COVER-CHAIN CASE

39039 1

<u>41033-2051</u> HUB-ASSY	41033 1
<u>482J7000</u> CIRCLIP-TYPE-E,7MM	482 5
<u>49049-2078</u> SHOE-CLUTCH	49049 5
* <u>601A6205</u> BEARING-BALL	601 1
<u>92002-2263</u> BOLT,10X28	92002 1
<u>92009-2308</u> SCREW	92009 2
<u>92022-2120</u> WASHER	92022 1
<u>92038-2101</u> KEY	92038 1
<u>92043-1263</u> PIN	92043 2
<u>92045-2169</u> BEARING-BALL	92045 1
<u>92049-2220</u> SEAL-OIL	92049 1
<u>92055-2185</u> RING-O,20MM	92055 1

92057-2056
CHAIN

92057 1

* 92066-2203
PLUG,DRAIN

92066 1

92141-2107
BEARING-PLANE

92141 1

92143-2149
COLLAR

92143 1

92144-2223
SPRING

92144 5

92144-2224
SPRING

92144A 1

92200-2001
WASHER

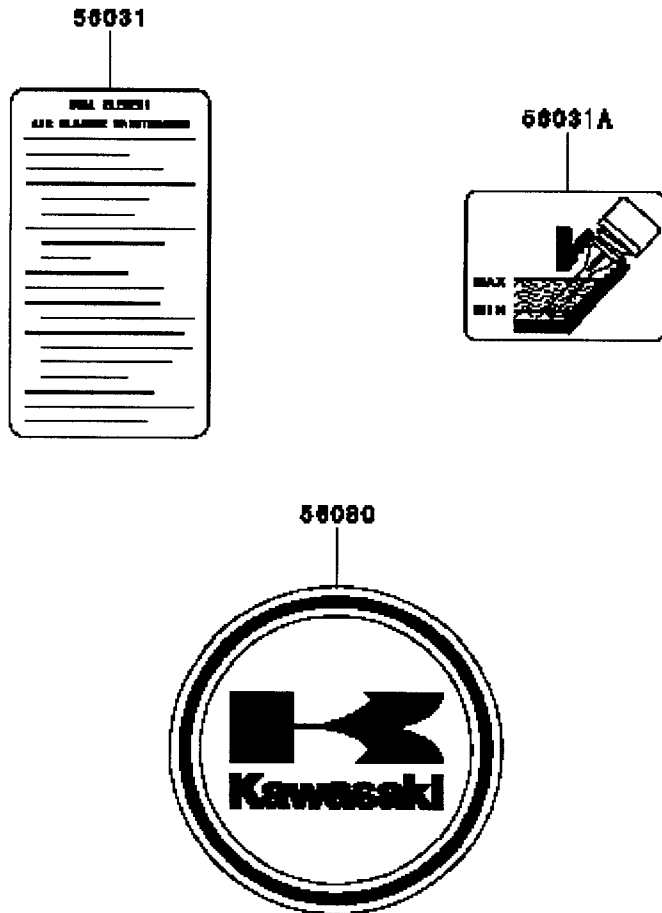
92200 1

92200-2002
WASHER

92200A 1

Product Diagram:

F0290-A626A



[Catalog Browse](#) > [4 Stroke Engines](#) > [FE SERIES](#) > [FE290R](#) > [FE290R- S01](#) > **LABEL**

Item Number/Description	References	Revisions	
		AS01	
<u>56031-2387</u> LABEL-MANUAL	56031	1	
<u>56031-2458</u> LABEL-MANUAL	56031A	1	
	56080	1	

56080-2077
LABEL-BRAND
